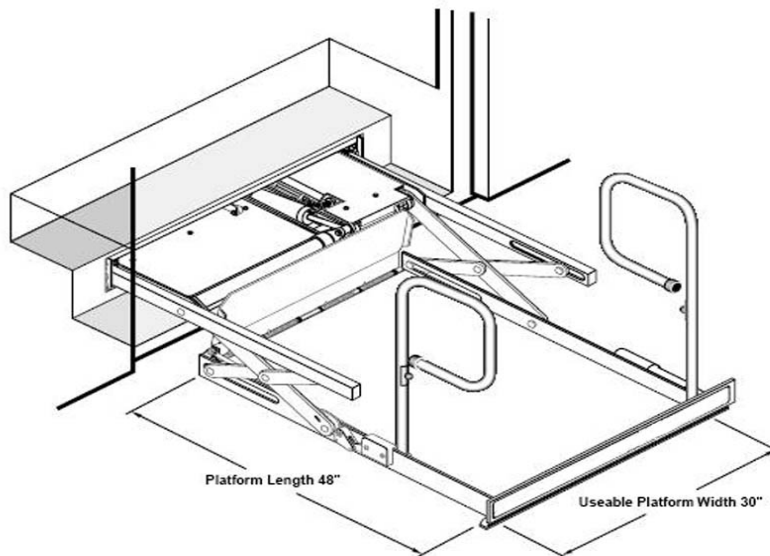


WL-D-UVL Wheelchair lift



Introduction

The UVL, or Under Vehicle Lift, offers an innovative solution to your mobility. With the lift mounted underneath the vehicle, it remains out of sight and out of your way until needed. This means easy access, a clear side view and maximum interior space.

The UVL Series lifts are electric in operation for both the in/out cycle and the outboard roll stop. The up/down cycle is hydraulic in operation. All functions are controlled by the standard hand-held control or the optional remote control.

The UVL Series is designed for installation at the side door of domestic full-size vans, buses and coaches. Installation of the UVL requires modification of the vehicle - consult your Dealer for details.

Advantages

- Super thin compact design
- Electric outboard rollstop and automatic inboard rollstop
- No-skid aluminum honeycomb platform
- Powerful hydraulic pump ensures smooth, stable operation for heavy wheelchairs
- Dual lifting arms are activated hydraulically, providing a stable and strong lifting environment.
- Side handrails (Option), for increased comfort and security
- Sound and flash light alarm during operation of platform
- Built in manual backup system

MAIN DIMENSION PARAMETER

MODEL OF WHEELCHAIR LIFT	PROFILE DIMENSION (L*W*H) mm	DIMENSION OF PLATFORM mm	MAX. LIFTING HEIGHT mm	DEMAND DOOR WIDE (NET WIDE)
UVL-700	1760X1086X149	1215X760	700	≥1100
UVL-1000	2010X1086X170	1215X760	1000	≥1100
UVL-1300	2010X1086X170	1215X760	1300	≥1100
UVL-1400	2010X1086X170	1215X760	1400	≥1100

Technical specification

Max lifting load: 300 Kg
Max lifting height: 700 -1400mm
Voltage: 12/24 V
Length & width of platform: 1215 * 760 mm

WL-UVL-700/1000

WL-UVL-1300/1400

